

1. Твердосплавная фильера для волочения прутков круглой формы типа S13

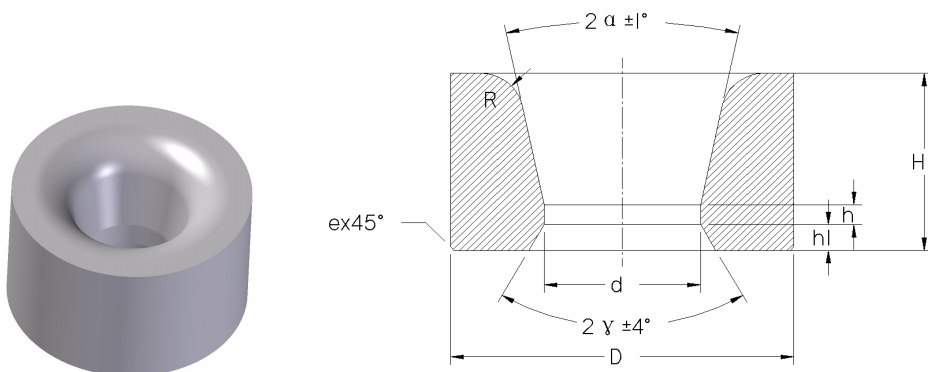
Продукция нашей компании включает в себя фильеры серии S13 и улучшенные фильеры типа S13-N и используются для волочения металлических прутков.

Размер внутреннего сечения:

Размер внутреннего сечения: 4.0мм~92.5мм

Максимальный внешний диаметр: 250мм

Параметры модели S13



Новый тип	Старый тип	Размеры (мм)					Размеры для вычислений (мм)			
		D	H	d	2α	2γ	h	h1	R	e
S13-0251820-8.3		25	18	8.3	20°	60°	4.0	2.5	2.0	2.5
S13-0251820-6.2		25	18	6.2	20°	60°	4.0	2.5	5.0	2.5
S13-0261720-7.0		26	17	7.0	20°	60°	2.5	3.0	12.0	1.5
S13-0261720-7.6		26	17	7.6	20°	60°	2.5	3.0	10.0	1.5
S13-0261720-7.3		26	17	7.3	20°	60°	2.5	2.4	12.0	1.0
S13-0261720-9.0		26	17	9.0	20°	60°	2.5	3.0	12.0	1.5
S13-0261720-9.3		26	17	9.3	20°	60°	2.5	2.4	12.0	1.0
S13-0261720-9.6		26	17	9.6	20°	60°	2.5	2.4	12.0	1.0
S13-0281820-5.7	S13-5.7-28H	28	18	5.7	20°	60°	2.5	3.0	9.0	1.2
S13-0281820-6.0		28	18	6.0	20°	60°	2.5	3.0	9.0	1.2
S13-0281820-6.3		28	18	6.3	20°	60°	2.5	3.0	9.0	1.2
S13-0281820-6.6		28	18	6.6	20°	60°	2.5	3.0	8.5	1.2
S13-0281820-7.0		28	18	7.0	20°	60°	2.5	3.0	8.5	1.2
S13-0281820-7.3		28	18	7.3	20°	60°	2.5	3.0	8.5	1.2
S13-0282020-4.7	LS13-4.7	28	20	4.7	20°	60°	2.5	3.0	7.0	1.2
S13-0282210-4.8	LS13-4.8A	28	22	4.8	10°	60°	2.0	3.5	6.0	1.2
S13-0282020-5.0		28	20	5.0	20°	60°	2.5	3.0	7.0	1.2
S13-0282020-5.2	XS13-5.2-28F	28	20	5.2	20°	60°	2.5	3.0	7.0	1.2
S13-0282210-5.2	LS13-5.2A	28	22	5.2	10°	60°	2.2	3.5	6.0	1.2
S13-0282020-5.4	S13-5.4-28	28	20	5.4	20°	60°	2.5	3.0	7.0	1.2
S13-0282020-5.7	LS13-5.7A	28	20	5.7	20°	60°	2.5	3.0	7.0	1.2
S13-0282020-6.0		28	20	6.0	20°	60°	2.5	3.0	7.0	1.2

S13-0282020-6.2	LS13-6.2-28F	28	20	6.2	20°	60°	2.5	3.0	7.0	1.2
S13-0282020-6.5	S13-6.5-28	28	20	6.5	20°	60°	2.5	3.0	7.0	1.2
S13-0282020-6.7	LS13-6.7A	28	20	6.7	20°	60°	2.5	3.0	7.0	1.2
S13-0282020-7.0	LS13-7.0-28AB	28	20	7.0	20°	60°	3.5	2.5	8.0	1.2
S13-0282020-7.3		28	20	7.3	20°	60°	3.0	3.0	7.0	1.2
S13-0282020-7.7	LS13-7.7-28	28	20	7.7	20°	60°	3.5	3.0	7.0	1.2
S13-0282020-8.5	LS13-8.5-28AB	28	20	8.5	20°	60°	4.5	2.5	10.0	1.2
S13-0282026-8.5	LS13-8.5-28AB	28	20	8.5	26°	60°	4.5	2.5	10.0	1.2
S13-0282020-8.6	LS13-8.6-28	28	20	8.6	20°	60°	3.5	3.0	7.0	1.2
S13-0282020-9.9	LS13-9.9-28AB	28	20	9.9	20°	60°	5.0	2.5	9.5	1.2
S13-0282028-9.9	LS13-9.9-28AB	28	20	9.9	28°	60°	5.0	2.5	9.5	1.2
S13-0282020-9.6	LS13-9.6-28	28	20	9.6	20°	60°	4.0	3.0	7.0	1.2
S13-0302120-5.4	LS13-5.4	30	21	5.4	20°	60°	2.5	3.0	7.0	1.2
S13-0302120-5.7	LS13-5.7	30	21	5.7	20°	60°	2.5	3.0	7.0	1.2
S13-0302120-6.0	LS13-6.0	30	21	6.0	20°	60°	2.5	3.0	7.0	1.2
S13-0302120-6.2	S13-6.2	30	21	6.2	20°	60°	2.5	3.0	7.0	1.2
S13-0302120-6.5	LS13-6.5	30	21	6.5	20°	60°	2.5	3.0	7.0	1.2
S13-0302120-6.7	LS13-6.7	30	21	6.7	20°	60°	2.5	3.0	7.0	1.2
S13-0302120-7.0	LS13-7.0	30	21	7.0	20°	60°	2.5	3.0	7.0	1.2
S13-0302120-7.3	LS13-7.3	30	21	7.3	20°	60°	3.5	3.0	7.0	1.2
S13-0302120-7.7	LS13-7.7	30	21	7.7	20°	60°	3.5	3.0	7.0	1.2
S13-0302120-8.1	LS13-8.1	30	21	8.1	20°	60°	3.5	3.0	7.0	1.2
S13-0302120-8.6	LS13-8.6	30	21	8.6	20°	60°	3.5	3.0	7.0	1.2
S13-0302120-9.0	LS13-9.0	30	21	9.0	20°	60°	4.0	3.0	7.0	1.2
S13-0302116-9.1	13-9.1	30	21	9.1	16°	60°	3.0	3.0	7.0	1.5
S13-0302120-9.6	LS13-9.6	30	21	9.6	20°	60°	4.0	3.0	7.0	1.2
S13-0302118-10.0	S13-10	30	21	10.0	18°	60°	3.5	3.0	7.0	1.5
S13-0302116-10.1	13-10.1	30	21	10.1	16°	60°	3.5	3.0	7.0	1.5
S13-0352420-6.7	LS13-6.7-35	35	24	6.7	20°	60°	5.0	4.0	7.0	1.5
S13-0352420-9.6	LS13-9.6-35	35	24	9.6	20°	60°	5.0	4.0	7.0	1.5
S13-0352420-10.0	LS13-10-35F	35	24	10.0	20°	60°	5.0	4.0	7.0	1.5
S13-0352420-11.5	LS13-11-35F	35	24	11.5	20°	60°	5.0	4.0	7.0	1.5
S13-0352420-12.5	LS13-12-35F	35	24	12.5	20°	60°	5.0	4.0	7.0	1.5
S13-0382420-10.5	LS13-10-38	38	24	10.5	20°	60°	4.0	4.0	7.0	1.5
S13-0382421-10.5	LS13-10-38AB	38	24	10.5	21°	60°	4.0	4.0	14.0	1.5
S13-0382423-10.5	LS13-10.5-38AB	38	24	10.5	23°	60°	5.0	3.5	11.0	1.5
S13-0382420-11.5	LS13-11-38	38	24	11.5	20°	60°	4.0	4.0	7.0	1.5
S13-0382421-11.5	LS13-11-38AB	38	24	11.5	21°	60°	4.0	4.0	14.0	1.5
S13-0382423-11.5	LS13-11.5-38AB	38	24	11.5	23°	60°	5.0	3.5	14.0	1.5
S13-0382428-11.9	LS13-11.9-38AB	38	24	11.9	28°	60°	5.5	3.5	14.0	1.5
S13-0382420-12.5	LS13-12-38	38	24	12.5	20°	60°	4.0	4.0	7.0	1.5
S13-0382421-12.5	LS13-12-38AB	38	24	12.5	21°	60°	4.0	4.0	9.5	1.5
S13-0382423-12.5	LS13-12.5-38AB	38	24	12.5	23°	60°	5.0	3.5	14.0	1.5

S13-0382420-13.5	LS13-13-38	38	24	13.5	20°	60°	4.5	4.0	7.0	1.5
S13-0382421-13.5	LS13-13-38AB	38	24	13.5	21°	60°	4.0	4.0	14.0	1.5
S13-0382423-13.5	LS13-13.5-38AB	38	24	13.5	23°	60°	5.0	3.5	14.0	1.5
S13-0382420-14.5	LS13-14-38F	38	24	14.5	20°	60°	5.0	4.0	7.0	1.5
S13-0382421-14.5	LS13-14-38AB	38	24	14.5	21°	60°	4.0	4.0	14.0	1.5
S13-0382423-14.5	LS13-14.5-38AB	38	24	14.5	23°	60°	5.0	3.5	11.0	1.5
S13-0382420-15.5	LS13-15-38	38	24	15.5	20°	60°	4.5	4.0	7.0	1.5
S13-0382421-15.5	LS13-15-38AB	38	24	15.5	21°	60°	4.0	4.0	14.0	1.5
S13-0382423-15.5	LS13-15.5-38AB	38	24	15.5	23°	60°	5.0	3.5	14.0	1.5
S13-0402520-10.0	LS13-10-40A	40	25	10.0	20°	60°	5.0	4.0	7.0	1.5
S13-0402520-10.5	LS13-10	40	25	10.5	20°	60°	5.0	4.0	7.0	1.5
S13-0402520-11.5	LS13-11	40	25	11.5	20°	60°	5.0	4.0	7.0	1.5
S13-0402520-12.0	S13-12A	40	25	12.0	20°	60°	5.0	4.0	7.0	1.5
S13-0402520-12.5	LS13-12	40	25	12.5	20°	60°	5.0	4.0	7.0	1.5
S13-0402520-13.5	LS13-13	40	25	13.5	20°	60°	5.0	4.0	7.0	1.5
S13-0402520-14.0	S13-14A	40	25	14.0	20°	60°	5.0	4.0	7.0	1.5
S13-0402520-14.5	LS13-14	40	25	14.5	20°	60°	5.0	4.0	7.0	1.5
S13-0402520-15.5	LS13-15	40	25	15.5	20°	60°	5.0	4.0	7.0	1.5
S13-0482720-16.5	LS13-16-48F	48	27	16.5	20°	60°	5.5	4.5	7.0	1.5
S13-0482721-16.5	LS13-16-48AB	48	27	16.5	21°	60°	5.0	4.5	14.0	1.5
S13-0482723-16.5	LS13-16.5-48AB	48	27	16.5	23°	60°	6.0	4.0	14.0	1.5
S13-0482720-17.5	LS13-17-48F	48	27	17.5	20°	60°	5.5	4.5	7.0	1.5
S13-0482721-17.5	LS13-17-48AB	48	27	17.5	21°	60°	5.0	4.5	14.0	1.5
S13-0482723-17.5	LS13-17.5-48AB	48	27	17.5	23°	60°	6.0	4.0	14.0	1.5
S13-0482720-18.5	LS13-18-48F	48	27	18.5	20°	60°	5.5	4.5	7.0	1.5
S13-0482721-18.5	LS13-18-48AB	48	27	18.5	21°	60°	5.0	4.5	14.0	1.5
S13-0482723-18.5	LS13-18.5-48AB	48	27	18.5	23°	60°	6.0	4.0	14.0	1.5
S13-0482720-19.5	LS13-19-48F	48	27	19.5	20°	60°	5.5	4.5	7.0	1.5
S13-0482721-19.5	LS13-19-48AB	48	27	19.5	21°	60°	5.0	4.5	14.0	1.5
S13-0482723-19.5	LS13-19.5-48AB	48	27	19.5	23°	60°	6.0	4.0	14.0	1.5
S13-0482720-20.5	LS13-20-48F	48	27	20.5	20°	60°	6.0	4.5	7.0	1.5
S13-0482721-20.5	LS13-20-48AB	48	27	20.5	21°	60°	5.0	4.5	14.0	1.5
S13-0482723-20.5	LS13-20.5-48AB	48	27	20.5	23°	60°	6.0	4.0	14.0	1.5
S13-0482720-21.5	LS13-21-48F	48	27	21.5	20°	60°	6.0	4.5	7.0	1.5
S13-0482721-21.5	LS13-21-48AB	48	27	21.5	21°	60°	5.0	4.5	14.0	1.5
S13-0482721-22.5	LS13-22-48AB	48	27	22.5	21°	60°	5.0	4.5	14.0	1.5
S13-0482721-23.5	LS13-23-48AB	48	27	23.5	21°	60°	5.0	4.5	14.0	1.5
S13-0482721-24.5	LS13-24-48AB	48	27	24.5	21°	60°	5.0	4.5	14.0	1.5
S13-0492723-21.5	LS13-21.5-50AB	49	27	21.5	23°	60°	6.0	4.0	14.0	1.5
S13-0492723-22.5	LS13-22.5-50AB	49	27	22.5	23°	60°	6.0	4.0	14.0	1.5
S13-0492723-23.5	LS13-23-50AB	49	27	23.5	23°	60°	6.0	4.0	14.0	1.5
S13-0492723-24.5	LS13-24.5-50AB	49	27	24.5	23°	60°	6.0	4.0	14.0	1.5
S13-0502820-16.5	LS13-16	50	28	16.5	20°	60°	5.5	4.5	7.0	1.5

S13-0502820-17.5	LS13-17	50	28	17.5	20°	60°	5.5	4.5	7.0	1.5
S13-0502820-18.5	LS13-18	50	28	18.5	20°	60°	5.5	4.5	7.0	1.5
S13-0502820-19.5	LS13-19	50	28	19.5	20°	60°	5.5	4.5	7.0	1.5
S13-0502820-20.5	LS13-20	50	28	20.5	20°	60°	6.0	4.5	7.0	1.5
S13-0502820-21.5	LS13-21	50	28	21.5	20°	60°	6.0	4.5	7.0	1.5
S13-0502820-22.5	LS13-22	50	28	22.5	20°	60°	6.0	4.5	7.0	1.5
S13-0502820-23.5	LS13-23	50	28	23.5	20°	60°	6.0	4.5	7.0	1.5
S13-0502820-24.5	LS13-24	50	28	24.5	20°	60°	6.0	4.5	7.0	1.5
S13-0603520-25.5	LS13-25	60	35	25.5	20°	60°	7.0	6.0	8.0	1.5
S13-0603221-25.5	LS13-25AB	60	32	25.5	21°	60°	7.0	5.0	14.0	1.5
S13-0603520-26.5	LS13-26	60	35	26.5	20°	60°	7.0	6.0	8.0	1.5
S13-0603221-26.5	LS13-26AB	60	32	26.5	21°	60°	7.0	5.0	14.0	1.5
S13-0603520-27.5	LS13-27	60	35	27.5	20°	60°	7.0	6.0	8.0	1.5
S13-0603221-27.5	LS13-27AB	60	32	27.5	21°	60°	7.0	5.0	14.0	1.5
S13-0603520-28.5	LS13-28	60	35	28.5	20°	60°	7.0	6.0	8.0	1.5
S13-0603221-28.5	LS13-28AB	60	32	28.5	21°	60°	7.0	5.0	14.0	1.5
S13-0603520-29.5	LS13-29	60	35	29.5	20°	60°	7.5	6.0	8.0	1.5
S13-0603221-29.5	LS13-29AB	60	32	29.5	21°	60°	7.0	5.0	14.0	1.5
S13-0603520-30.5	LS13-30	60	35	30.5	20°	60°	7.5	6.0	8.0	1.5
S13-0603221-30.5	LS13-30AB	60	32	30.5	21°	60°	7.0	5.0	14.0	1.5
S13-0603520-31.5	LS13-31	60	35	31.5	20°	60°	7.5	6.0	8.0	1.5
S13-0603221-31.5	LS13-31AB	60	32	31.5	21°	60°	7.0	5.0	14.0	1.5
S13-0603520-32.5	LS13-32	60	35	32.5	20°	60°	7.5	6.0	8.0	1.5
S13-0603221-32.5	LS13-32AB	60	32	32.5	21°	60°	7.0	5.0	14.0	1.5
S13-0603520-33.5	LS13-33	60	35	33.5	20°	60°	7.5	6.0	8.0	1.5
S13-0603221-33.5	LS13-33AB	60	32	33.5	21°	60°	7.0	5.0	14.0	1.5
S13-0603520-34.5	LS13-34	60	35	34.5	20°	60°	7.5	6.0	8.0	1.5
S13-0603221-34.5	LS13-34AB	60	32	34.5	21°	60°	7.0	5.0	14.0	1.5
S13-0753520-35.5	LS13-35	75	35	35.5	20°	60°	8.0	6.0	8.0	1.5
S13-0753520-36.5	LS13-36	75	35	36.5	20°	60°	8.0	6.0	8.0	1.5
S13-0753520-37.5	LS13-37	75	35	37.5	20°	60°	8.0	6.0	8.0	1.5
S13-0753520-38.5	LS13-38	75	35	38.5	20°	60°	8.0	6.0	8.0	1.5
S13-0753520-39.5	LS13-39	75	35	39.5	20°	60°	8.0	6.0	8.0	1.5
S13-0753520-40.5	LS13-40	75	35	40.5	20°	60°	8.0	6.0	8.0	1.5
S13-0753520-41.5	LS13-41	75	35	41.5	20°	60°	8.0	6.0	8.0	1.5
S13-0753520-42.5	LS13-42	75	35	42.5	20°	60°	8.0	6.0	8.0	1.5
S13-0753520-43.5	LS13-43	75	35	43.5	20°	60°	8.0	6.0	8.0	1.5
S13-0803520-43.5	LS13-43-80	80	35	43.5	20°	60°	7.0	5.5	8.0	1.5
S13-0853520-43.5	LS13-43-85	85	35	43.5	20°	60°	7.0	6.0	8.0	1.5
S13-0903520-45.0	LS13-45	90	35	45.0	20°	60°	9.0	6.0	8.0	2.0
S13-0903520-47.0	LS13-47	90	35	47.0	20°	60°	9.0	6.0	8.0	1.5
S13-0903520-49.0	LS13-49	90	35	49.0	20°	60°	9.0	6.0	8.0	1.5
S13-0903520-51.0	LS13-51	90	35	51.0	20°	60°	9.0	6.0	8.0	1.5

S13-0903520-53.0	LS13-53	90	35	53.0	20°	60°	9.0	6.0	8.0	2.0
S13-0903520-55.0	LS13-55	90	35	55.0	20°	60°	9.0	6.0	8.0	2.0
S13-0903520-57.0	LS13-57	90	35	57.0	20°	60°	9.0	6.0	8.0	2.0
S13-0903520-58.0		90	35	58.0	20°	60°	10.0	6.0	8.0	2.0
S13-0953520-53.0	S13-53	95	35	53.0	20°	60°	8.5	6.0	8.0	1.5
S13-0953520-54.0		95	35	54.0	20°	60°	8.5	6.0	8.0	1.5
S13-0953520-55.0	S13-55	95	35	55.0	20°	60°	8.5	6.0	8.0	1.5
S13-0953520-56.0		95	35	56.0	20°	60°	8.5	6.0	8.0	1.5
S13-0953520-57.0	S13-57	95	35	57.0	20°	60°	8.5	6.0	8.0	1.5
S13-1104020-53.0	LS13-53-110	110	40	53.0	20°	60°	9.0	6.0	8.0	1.5
S13-1104020-59.0	LS13-59	110	40	59.0	20°	60°	10.0	6.0	8.0	2.0
S13-1104020-61.0	LS13-61	110	40	61.0	20°	60°	10.0	6.0	8.0	2.0
S13-1104020-64.0	LS13-64	110	40	64.0	20°	60°	11.0	6.0	8.0	2.0
S13-1104020-67.0	LS13-67	110	40	67.0	20°	60°	11.0	6.0	8.0	2.0
S13-1104020-69.0	LS13-69	110	40	69.0	20°	60°	11.0	6.0	8.0	2.0
S13-1204520-65.0	LS13-65-120	120	45	65.0	20°	60°	11.0	6.0	8.0	2.0
S13-1405020-71.0	LS13-71	140	50	71.0	20°	60°	12.0	6.0	8.0	2.0
S13-1405020-74.0	LS13-74	140	50	74.0	20°	60°	12.0	6.0	8.0	2.0
S13-1405020-77.0	LS13-77	140	50	77.0	20°	60°	12.0	6.0	8.0	2.0
S13-1405020-81.0	LS13-81	140	50	81.0	20°	60°	12.0	6.0	8.0	2.0
S13-1405020-84.0	LS13-84	140	50	84.0	20°	60°	12.0	6.0	8.0	2.0
S13-1505020-80.0	LS13-80	150	50	80.0	20°	60°	12.0	6.0	8.0	2.0
S13-1505020-86.2	LS13-86.2	150	45	86.2	20°	60°	12.0	6.0	8.0	2.0
S13-1604520-92.6		160	45	92.5	20°	60°	12.0	6.0	8.0	2.0

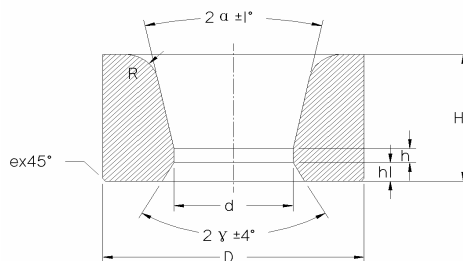
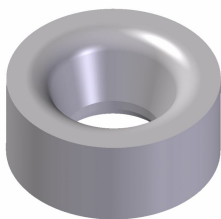
2. Твердосплавная фильера для волочения прутков круглой формы типа LE

Наши фильеры являются самыми популярными в Индии

Размеры: Внутреннее сечение 5.0~60мм, Максимальный внешний диаметр: 120мм

Размеры: Внутреннее сечение: 5.0~60мм, Максимальный внешний диаметр: 120мм

Параметры модели LE



Новый тип	Старый тип	Размеры (мм)					Размеры для вычислений (мм)			
		D	d	H	2α0	2β0	h	h1	R	e
LE-0252024-5.7	LE25-5.7	25	5.7	20	240	600	2.0	3.0	3	1.2

Новый тип	Старый тип	Размеры (мм)					Размеры для вычислений (мм)			
		D	d	H	2α0	2β0	h	h1	R	e
LE-0252024-6.7	LE25-6.7	25	6.7	20	240	600	2.0	3.0	3	1.2
LE-0252024-7.0	LE25-7.0	25	7.0	20	240	600	2.0	3.0	3	1.2
LE-0252024-8.0	LE25-8.0	25	8.0	20	240	600	2.0	3.0	3	1.2
LE-0252024-7.7	LE25-7.7	25	7.7	20	240	600	2.0	3.0	3	1.2
LE-03024024-7.7	LE30-7.7	30	7.7	24	240	600	2.1	3.5	4	1.2
LE-03024024-9.0	LE30-9.0	30	9.0	24	240	600	2.1	3.5	4	1.2
LE-03024024-10.0	LE30-10.0	30	10.0	24	240	600	2.1	3.5	4	1.2
LE-03024024-11.0	LE30-11.0	30	11.0	24	240	600	2.1	3.5	4	1.2
LE-03524024-9.0	LE35-9.0	35	9.0	24	240	600	2.1	3.5	4	1.5
LE-03524024-10.0	LE35-10.0	35	10.0	24	240	600	2.1	3.5	4	1.5
LE-03524024-11.0	LE35-11.0	35	11.0	24	240	600	2.1	3.5	4	1.5
LE-03524024-13.0	LE35-13.0	35	13.0	24	240	600	2.1	3.5	4	1.5
LE-03524024-14.0	LE35-14.0	35	14.0	24	240	600	2.1	3.5	4	1.5
LE-03524024-16.0	LE35-16.0	35	16.0	24	240	600	2.1	3.5	4	1.5
LE-03524024-18.0	LE35-18.0	35	18.0	24	240	600	2.1	3.5	4	1.5
LE-04024024-12.0	LE40-12.0	40	12.0	24	240	600	2.1	3.5	4	1.5
LE-04024024-16.0	LE40-16.0	40	16.0	24	240	600	2.1	3.5	4	1.5
LE-04024024-19.0	LE40-19.0	40	19.0	24	240	600	2.1	3.5	4	1.5
LE-04525024-16.0	LE45-16.0	45	16.0	25	240	600	2.6	4.0	5	1.5
LE-0452524-18.0	LE45-18.0	45	18.0	25	240	600	2.6	4.0	5	1.5
LE-0452524-20.0	LE45-20.0	45	20.0	25	240	600	2.6	4.0	5	1.5
LE-0502524-18.0	LE50-18.0	50	18.0	25	240	600	2.6	4.0	5	2.0
LE-0552724-20.0	LE55-20.0	55	20.0	27	240	600	3.2	4.5	6	2.0
LE-0602724-20.0	LE60-20.0	60	20.0	27	240	600	3.2	4.5	6	2.0
LE-0602724-22.0	LE60-22.0	60	22.0	27	240	600	3.2	4.5	6	2.0
LE-0602724-25.0	LE60-25.0	60	25.0	27	240	600	3.2	4.5	6	2.0
LE-0652724-20.0	LE65-20.0	65	20.0	27	240	600	3.2	4.5	6	2.5
LE-0652724-25.0	LE65-25.0	65	25.0	27	240	600	3.2	4.5	6	2.5
LE-0652724-28.0	LE65-28.0	65	28.0	27	240	600	3.2	4.5	6	2.5

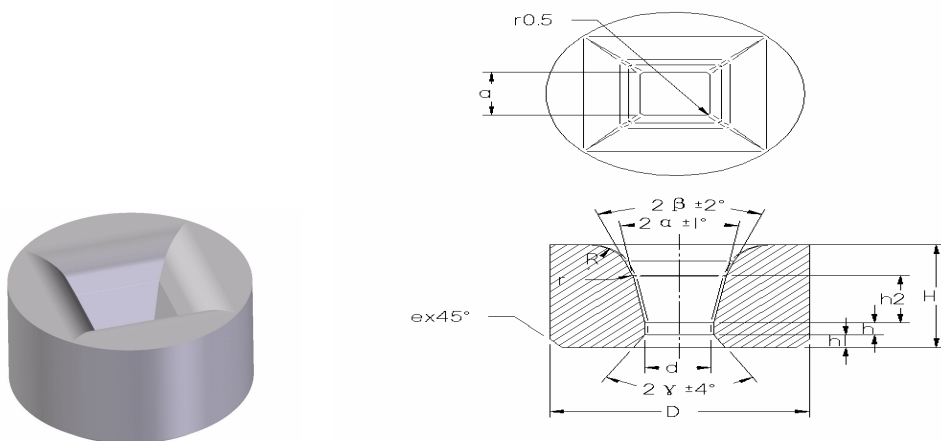
Новый тип	Старый тип	Размеры (мм)					Размеры для вычислений (мм)			
		D	d	H	2α0	2β0	h	h1	R	e
LE-0652724-30.0	LE65-30.0	65	30.0	27	240	600	3.2	4.5	6	2.5
LE-0703024-32.0	LE70-32.0	70	32.0	30	240	600	4.0	5.5	6	2.5
LE-0703024-35.0	LE70-35.0	70	35.0	30	240	600	4.0	5.5	6	2.5
LE-0753024-32.0	LE75-32.0	75	32.0	30	240	600	4.0	5.5	6	2.5
LE-0753024-35.0	LE75-35.0	75	35.0	30	240	600	4.0	5.5	6	2.5
LE-0803024-40.0	LE80-40.0	80	40.0	30	240	600	4.0	5.5	6	2.5
LE-0853024-40.0	LE85-40.0	85	40.0	33	240	600	4.5	6.0	7	2.5
LE-0903024-40.0	LE90-40.0	90	40.0	33	240	600	5.0	6.5	7	2.5
LE-0953024-42.0	LE95-42.0	95	42.0	33	240	600	5.0	6.5	7	2.5
LE-1003024-45.0	LE100-45.0	100	45.0	33	240	600	5.5	7.0	7	2.5

3. Твердосплавные фильеры для волочения металлических прутков квадратной формы S40

Применение: Используется для волочения прутков квадратных форм.

Размеры: Внутреннее сечение I: 8~55мм, Максимальный внешний диаметр: 120мм.

Параметры модели S40



Новый тип	Старый тип	Размеры (мм)						Размеры для вычислений (мм)				
		D	H	a	2α	2β	2γ	h	h1	h2	R	E
S40-0161214-1.8	40-1.8	16	12	1.8	14°	40°	60°	1.0	1.5	5.0	1.5	1.0
S40-0161214-2.4	40-2.4	16	12	2.4	14°	40°	60°	1.0	1.5	5.0	1.5	1.0
S40-0221814-2.8	40-2.8	22	18	2.8	14°	40°	60°	1.5	2.0	7.0	2.0	1.2
S40-0221814-3.2	40-3.2	22	18	3.2	14°	40°	60°	1.5	2.0	7.0	2.0	1.2
S40-0221814-3.6	40-3.6	22	18	3.6	14°	40°	60°	1.5	2.0	7.0	2.0	1.2

S40-0221814-4.0	40-4.0	22	18	4.0	14°	40°	60°	1.5	2.0	7.0	2.0	1.2
S40-0302114-4.6	40-4.6	30	21	4.6	14°	40°	60°	2.0	2.0	11.0	3.0	1.5
S40-0302114-5.0	40-5.0	30	21	5.0	14°	40°	60°	2.0	2.0	11.0	3.0	1.5
S40-0302114-5.7	40-5.7	30	21	5.7	14°	40°	60°	2.0	2.0	11.0	3.0	1.5
S40-0302114-6.7	40-6.7	30	21	6.7	14°	40°	60°	2.0	2.0	11.0	3.0	1.5
S40-0352514-7.7	L40-7.7	35	25	7.7	14°	40°	60°	3.0	3.0	13.0	3.0	1.5
S40-0352514-8.7	L40-8.7	35	25	8.7	14°	40°	60°	3.0	3.0	13.0	3.0	1.5
S40-0352514-9.7	40-9.7	35	25	9.7	14°	40°	60°	3.0	3.0	13.0	3.0	1.5
S40-0452514-10.7	L40-10	45	25	10.7	14°	40°	60°	3.5	3.0	13.0	4.0	1.5
S40-0452514-11.7	40-11	45	25	11.7	14°	40°	60°	3.5	3.0	13.0	4.0	1.5
S40-0452514-12.7	40-12	45	25	12.7	14°	40°	60°	3.5	3.0	13.0	4.0	1.5
S40-0452514-13.7	40-13	45	25	13.7	14°	40°	60°	3.5	3.0	13.0	4.0	1.5
S40-0452514-14.7	40-14	45	25	14.7	14°	40°	60°	3.5	3.0	13.0	4.0	1.5
S40-0502814-15.7	L40-15	50	28	15.7	14°	40°	60°	4.0	3.0	14.0	4.0	1.5
S40-0502814-16.7	40-16	50	28	16.7	14°	40°	60°	4.0	3.0	14.0	4.0	1.5
S40-0502814-17.7	40-17	50	28	17.7	14°	40°	60°	4.0	3.0	14.0	4.0	1.5
S40-0502814-18.7	L40-18	50	28	18.7	14°	40°	60°	4.0	3.0	14.0	4.0	1.5
S40-0552818-18.9	S40-18	55	28	18.9	18	40	60	4.0	3.0	12.0	6.0	1.5
S40-0602118-6.7	40-6.7	60	21	6.7	18	40	60	9.0	2.5	9.0	5.5	1.5
S40-0603016-19.7	L40-19	60	30	19.7	16°	40°	60°	5.0	4.0	14.0	4.0	1.5
S40-0603016-20.7	40-20	60	30	20.7	16°	40°	60°	5.0	4.0	14.0	4.0	1.5
S40-0603016-21.7	L40-21	60	30	21.7	16°	40°	60°	5.0	4.0	14.0	4.0	1.5
S40-0603016-22.7	40-22	60	30	22.7	16°	40°	60°	5.0	4.0	14.0	4.0	1.5
S40-0603016-23.7	40-23	60	30	23.7	16°	40°	60°	5.0	4.0	14.0	4.0	1.5
S40-0653216-24.7	40-24	65	32	24.7	16°	40°	60°	6.0	5.0	14.0	5.0	1.5
S40-0653216-25.5	40-25	65	32	25.5	16°	40°	60°	6.0	5.0	14.0	5.0	1.5
S40-0653216-26.5	40-26	65	32	26.5	16°	40°	60°	6.0	5.0	14.0	5.0	1.5
S40-0653216-27.5	40-27	65	32	27.5	16°	40°	60°	6.0	5.0	14.0	5.0	1.5
S40-0703516-28.5	40-28	70	35	28.5	16°	40°	60°	8.0	6.0	16.0	5.0	1.5
S40-0703516-29.5	40-29	70	35	29.5	16°	40°	60°	8.0	6.0	16.0	5.0	1.5
S40-0703516-30.5	40-30	70	35	30.5	16°	40°	60°	8.0	6.0	16.0	5.0	1.5
S40-0703516-31.5	40-31	70	35	31.5	16°	40°	60°	8.0	6.0	16.0	5.0	1.5
S40-0803516-32.5	40-32	80	35	32.5	16°	40°	60°	8.0	6.0	16.0	5.0	2.0
S40-0803516-33.5	40-33	80	35	33.5	16°	40°	60°	8.0	6.0	16.0	5.0	2.0
S40-0803516-34.5	40-34	80	35	34.5	16°	40°	60°	8.0	6.0	16.0	5.0	2.0
S40-0803516-35.5	40-32	80	35	35.5	16°	40°	60°	8.0	6.0	16.0	5.0	2.0
S40-0803516-36.5	40-36	80	35	36.5	16°	40°	60°	8.0	6.0	16.0	5.0	2.0
S40-0803516-37.5	40-37	80	35	37.5	16°	40°	60°	8.0	6.0	16.0	5.0	2.0
S40-0904020-38.5	40-38	90	40	38.5	20°	40°	60°	8.0	6.0	16.0	6.0	2.0
S40-0904020-39.5	40-39	90	40	39.5	20°	40°	60°	8.0	6.0	16.0	6.0	2.0
S40-0904020-40.5	40-40	90	40	40.5	20°	40°	60°	8.0	6.0	16.0	6.0	2.0
S40-0904020-41.5	40-41	90	40	41.5	20°	40°	60°	8.0	6.0	16.0	6.0	2.0
S40-1004020-42.5	40-42	100	40	42.5	20°	40°	60°	8.0	6.0	16.0	6.0	2.0

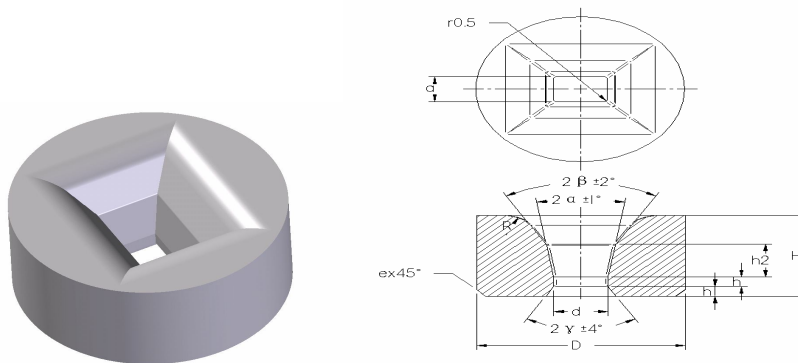
S40-1004020-44.5	40-44	100	40	44.5	20°	40°	60°	8.0	6.0	16.0	6.0	2.0
S40-1004020-47.5	40-42	100	40	47.5	20°	40°	60°	8.0	6.0	16.0	6.0	2.0
S40-1104020-44.7	S40-44-110	110	40	44.7	20	40	60	7.4	6	16	7	1.5
S40-1204520-49.5	40-49	120	45	49.5	20°	40°	60°	8.0	6.0	16.0	6.0	2.0
S40-1204520-51.5	40-51	120	45	51.5	20°	40°	60°	8.0	6.0	16.0	6.0	2.0
S40-1204520-53.5	40-53	120	45	53.5	20°	40°	60°	8.0	6.0	16.0	6.0	2.0
S40-1204520-54.5	40-54	120	45	54.5	20°	40°	60°	8.0	6.0	16.0	6.0	2.0

4. Твердосплавные фильеры для волочения металлических прутков прямоугольной формы S41

Фильера имеет полную комплектацию и долговечность использования. Фильеры этого типа используются для волочения металлических прутков прямоугольной формы.

Максимальный наружный диаметр: 60 мм.

Параметры модели S41



Новый тип	Старый тип	Размеры (мм)							Размеры для вычислений (мм)				
		D	H	a	b	2α	2β	2γ	h	h1	h2	R	E
S41-0302114-6.7×4.7	41-6.7×4.7	30	21	6.7	4.7	14°	40°	60°	2.0	2.0	11.0	3.0	1.2
S41-0352514-7.7×5.7	41-7.7×5.7	35	25	7.7	5.7	14°	40°	60°	3.0	3.0	13.0	3.0	1.5
S41-0352514-7.7×6.7	41-7.7×6.7	35	25	7.7	6.7	14°	40°	60°	3.0	3.0	13.0	3.0	1.5
S41-0352514-8.7×2.7	41-8.7×2.7	35	25	8.7	2.7	14°	40°	60°	3.0	3.0	13.0	3.0	1.5
S41-0352514-9.7×3.7	41-9.7×3.7	35	25	9.7	3.7	14°	40°	60°	3.0	3.0	13.0	3.0	1.5
S41-0352514-9.7×5.7	41-9.7×5.7	35	25	9.7	5.7	14°	40°	60°	3.0	3.0	13.0	3.0	1.5
S41-0352514-9.7×6.7	41-9.7×6.7	35	25	9.7	6.7	14°	40°	60°	3.0	3.0	13.0	3.0	1.5
S41-0352514-9.7×7.7	41-9.7×7.7	35	25	9.7	7.7	14°	40°	60°	3.0	3.0	13.0	3.0	1.5

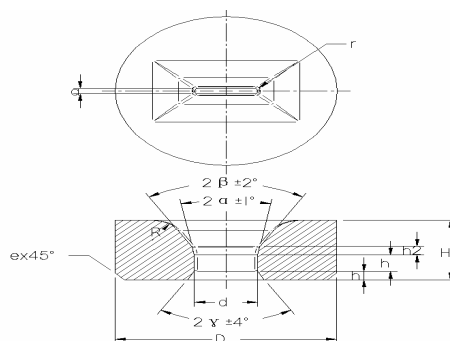
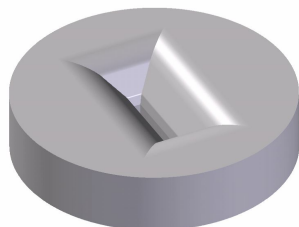
S41-0452514-11.7×5.7	41-11×7.7	45	25	11.7	7.7	14°	40°	60°	3.5	3.0	13.0	4.0	1.5
S41-0452514-11.7×9.7	41-11×9.7	45	25	11.7	9.7	14°	40°	60°	3.5	3.0	13.0	4.0	1.5
S41-0502814-13.7×6.7	41-13×6.7	50	28	13.7	6.7	14°	40°	60°	4.0	3.0	14.0	4.0	1.5
S41-0502814-13.7×8.7	41-13×8.7	50	28	13.7	8.7	14°	40°	60°	4.0	3.0	14.0	4.0	1.5
S41-0502814-15.6×7.7	41-15×7.7	50	28	15.6	7.7	14°	40°	60°	4.0	3.0	14.0	4.0	1.5
S41-0502814-15.6×9.7	41-15×9.7	50	28	15.6	9.7	14°	40°	60°	4.0	3.0	14.0	4.0	1.5
S41-0502814-15.6×11.7	41-15×11.7	50	28	15.6	11.7	14°	40°	60°	4.0	3.0	14.0	4.0	1.5
S41-0502814-15.6×12.7	41-15×12.7	50	28	15.6	12.7	14°	40°	60°	4.0	3.0	14.0	4.0	1.5
S41-0502814-17.6×10.7	41-17×10.7	50	28	17.6	10.7	14°	40°	60°	4.0	3.0	14.0	4.0	1.5
S41-0502814-17.6×15.7	41-17×15.7	50	28	17.6	15.7	14°	40°	60°	4.0	3.0	14.0	4.0	1.5
S41-0603014-19.6×7.7	41-19×7.7	60	30	19.6	7.7	14°	40°	60°	5.0	4.0	14.0	4.0	1.5
S41-0603014-19.6×9.7	41-19×9.7	60	30	19.6	9.7	14°	40°	60°	5.0	4.0	14.0	4.0	1.5
S41-0603014-19.6×11.7	41-19×11.7	60	30	19.6	11.7	14°	40°	60°	5.0	4.0	14.0	4.0	1.5
S41-0603014-19.6×14.7	41-19×14.7	60	30	19.6	14.7	14°	40°	60°	5.0	4.0	14.0	4.0	1.5
S41-0603014-21.6×9.2	41-21×9.2	60	30	21.6	9.2	14°	40°	60°	5.0	4.0	14.0	4.0	1.5
S41-0603014-21.6×11.7	41-21×11.7	60	30	21.6	11.7	14°	40°	60°	5.0	4.0	14.0	4.0	1.5
S41-0603014-21.6×14.2	41-21×14.2	60	30	21.6	14.2	14°	40°	60°	5.0	4.0	14.0	4.0	1.5
S41-0603014-23.6×11.7	41-23×11.7	60	30	23.6	11.7	14°	40°	60°	5.0	4.0	14.0	4.0	1.5
S41-0603014-23.6×14.7	41-23×14.7	60	30	23.6	14.7	14°	40°	60°	5.0	4.0	14.0	4.0	1.5

5. Твердосплавная фильера для волочения металлического прутка плоской лентообразной формы S42

Эти фильеры используются для волочения плоских металлических лент.

Размеры: Под заказ.

Параметры модели S42



Новый тип	Старый тип	Размеры (мм)							Размеры для вычислений (мм)					
		D	H	a	b	2α	2β	2γ	h	h1	h2	R	r	E
S42-0201218-1.9×1.0	LS42-1.9×1.0	20	12	1.9	1.0	18°	60°	60°	2.0	2.0	4.0	3.0	0.5	1.0
S42-0201218-1.9×1.4	42-1.9×1.4	20	12	1.9	1.4	18°	60°	60°	2.0	2.0	4.0	3.0	0.6	1.0
S42-0201218-2.4×1.4	42-2.4×1.4	20	12	2.4	1.4	18°	60°	60°	2.0	2.0	4.0	3.0	0.6	1.0
S42-0201218-3.1×1.0	42-3.1×1.0	20	12	3.1	1.0	18°	60°	60°	2.0	2.0	4.0	3.0	0.5	1.0
S42-0201218-3.1×1.9	LS42-3.1×1.9	20	12	3.1	1.9	18°	60°	60°	2.0	2.0	4.0	3.0	0.6	1.0
S42-0251518-3.9×1.0	42-3.9×1.0	25	15	3.9	1.0	18°	60°	60°	2.5	2.5	5.0	3.0	0.5	1.2
S42-0251518-3.9×1.9	42-3.9×1.9	25	15	3.9	1.9	18°	60°	60°	2.5	2.5	5.0	3.0	0.6	1.2
S42-0251518-3.9×2.4	42-3.9×2.4	25	15	3.9	2.4	18°	60°	60°	2.5	2.5	5.0	3.0	0.8	1.2
S42-0251518-4.5×1.1	LS42-4.5×1.1	25	15	4.5	1.1	18°	60°	60°	2.5	2.5	5.0	3.0	0.5	1.2
S42-0251518-4.5×1.5	42-4.5×1.5	25	15	4.5	1.5	18°	60°	60°	2.5	2.5	5.0	3.0	0.6	1.2
S42-0251518-4.5×1.9	LS42-4.5×1.9	25	15	4.5	1.9	18°	60°	60°	2.5	2.5	5.0	3.0	0.6	1.2
S42-0251518-4.5×2.8	42-4.5×2.8	25	15	4.5	2.8	18°	60°	60°	2.5	2.5	5.0	3.0	0.8	1.2
S42-0155-818-5.0×0.4	LS42-5.0×0.40	15	5.8	5.0	0.4	18°	60°	60°	2.5	2.5	5.0	3.0	0.8	1.2
S42-0251518-5.3×1.1	42-5.3×1.1	25	15	5.3	1.1	18°	60°	60°	2.5	2.5	5.0	3.0	0.5	1.2
S42-0251518-5.3×1.9	42-5.3×1.9	25	15	5.3	1.9	18°	60°	60°	2.5	2.5	5.0	3.0	0.6	1.2
S42-0251518-5.3×2.3	LS42-5.3×2.3	25	15	5.3	2.3	18°	60°	60°	2.5	2.5	5.0	3.0	0.8	1.2
S42-0251518-5.3×3.1	42-5.3×3.1	25	15	5.3	3.1	18°	60°	60°	2.5	2.5	5.0	3.0	0.8	1.2
S42-0251518-6.2×1.1	42-6.2×1.1	25	15	6.2	1.1	18°	60°	60°	2.5	2.5	5.0	3.0	0.5	1.2
S42-0251518-6.2×1.5	42-6.2×1.5	25	15	6.2	1.5	18°	60°	60°	2.5	2.5	5.0	3.0	0.6	1.2
S42-0251518-6.2×2.4	42-6.2×2.4	25	15	6.2	2.4	18°	60°	60°	2.5	2.5	5.0	3.0	0.8	1.2
S42-0251518-6.2×3.1	42-6.2×3.1	25	15	6.2	3.1	18°	60°	60°	2.5	2.5	5.0	3.0	0.8	1.2
S42-0351818-7.2×1.1	LS42-7.2×1.1	35	18	7.2	1.1	18°	60°	60°	2.5	2.5	6.0	4.0	0.5	1.2

S42-0351818-7.2×1.5	LS42-7.2×1.5	35	18	7.2	1.5	18°	60°	60°	2.5	2.5	6.0	4.0	0.6	1.2
S42-0351818-7.2×1.9	42-7.2×1.9	35	18	7.2	1.9	18°	60°	60°	2.5	2.5	6.0	4.0	0.6	1.2
S42-0351818-7.2×3.1	42-7.2×3.1	35	18	7.2	3.1	18°	60°	60°	2.5	2.5	6.0	4.0	0.8	1.2
S42-0351818-7.2×3.9	42-7.2×3.9	35	18	7.2	3.9	18°	60°	60°	2.5	2.5	6.0	4.0	1.0	1.2
S42-0351818-8.4×1.2	42-8.4×1.2	35	18	8.4	1.2	18°	60°	60°	2.5	2.5	6.0	4.0	0.5	1.2
S42-0351818-8.4×1.5	42-8.4×1.5	35	18	8.4	1.5	18°	60°	60°	2.5	2.5	6.0	4.0	0.6	1.2
S42-0351818-8.4×2.4	42-8.4×2.4	35	18	8.4	2.4	18°	60°	60°	2.5	2.5	6.0	4.0	0.8	1.2
S42-0351818-8.4×3.1	42-8.4×3.1	35	18	8.4	3.1	18°	60°	60°	2.5	2.5	6.0	4.0	0.8	1.2
S42-0351818-8.4×3.9	42-8.4×3.9	35	18	8.4	3.9	18°	60°	60°	2.5	2.5	6.0	4.0	1.0	1.2
S42-0351818-9.1×1.0	42-9.1×1.0	35	18	9.1	1.0	18°	60°	60°	2.5	2.5	6.0	4.0	0.5	1.2
S42-0351818-9.1×1.7	42-9.1×1.7	35	18	9.1	1.7	18°	60°	60°	2.5	2.5	6.0	4.0	0.6	1.2
S42-0351818-9.1×2.4	42-9.1×2.4	35	18	9.1	2.4	18°	60°	60°	2.5	2.5	6.0	4.0	0.8	1.2
S42-0351820-9.1×3.0	LS42-9.1×3.0	35	18	9.1	3.0	20°	60°	60°	2.5	2.5	5.0	5.0	0.8	1.2
S42-0351818-9.1×3.8	42-9.1×3.8	35	18	9.1	3.8	18°	60°	60°	2.5	2.5	6.0	4.0	1.0	1.2
S42-0351818-9.8×1.2	42-9.8×1.2	35	18	9.8	1.2	18°	60°	60°	2.5	2.5	6.0	4.0	0.5	1.2
S42-0351818-9.8×1.8	42-9.8×1.8	35	18	9.8	1.8	18°	60°	60°	2.5	2.5	6.0	4.0	0.6	1.2
S42-0351818-9.8×2.3	42-9.8×2.3	35	18	9.8	2.3	18°	60°	60°	2.5	2.5	6.0	4.0	0.8	1.2
S42-0351818-9.8×4.9	42-9.8×4.9	35	18	9.8	4.9	18°	60°	60°	2.5	2.5	6.0	4.0	1.0	1.2
S42-0351818-9.8×6.3	42-9.8×6.3	35	18	9.8	6.3	18°	60°	60°	2.5	2.5	6.0	4.0	1.2	1.2
S42-0351818-10.8×1.0	42-10×1.0	35	18	10.8	1.0	18°	60°	60°	2.5	2.5	6.0	4.0	0.5	1.2
S42-0351818-10.8×1.9	42-10×1.9	35	18	10.8	1.9	18°	60°	60°	2.5	2.5	6.0	4.0	0.6	1.2
S42-0351818-10.8×2.4	42-10×2.4	35	18	10.8	2.4	18°	60°	60°	2.5	2.5	6.0	4.0	0.8	1.2
S42-0351818-10.8×2.9	42-10×2.9	35	18	10.8	2.9	18°	60°	60°	2.5	2.5	6.0	4.0	0.8	1.2
S42-0351818-11.4×1.1	42-11×1.1	35	18	11.4	1.1	18°	60°	60°	2.5	2.5	6.0	4.0	0.5	1.2
S42-0351818-11.4×1.5	42-11×1.5	35	18	11.4	1.5	18°	60°	60°	2.5	2.5	6.0	4.0	0.6	1.2
S42-0351818-11.4×1.9	42-11×1.9	35	18	11.4	1.9	18°	60°	60°	2.5	2.5	6.0	4.0	0.6	1.2
S42-0351818-11.4×3.1	42-11×3.1	35	18	11.4	3.1	18°	60°	60°	2.5	2.5	6.0	4.0	0.8	1.2
S42-0351818-11.4×3.9	42-11×3.9	35	18	11.4	3.9	18°	60°	60°	2.5	2.5	6.0	4.0	1.0	1.2
S42-0351818-11.4×4.9	42-11×4.9	35	18	11.4	4.9	18°	60°	60°	2.5	2.5	6.0	4.0	1.0	1.2
S42-0452018-12.8×1.4	LS42-12×1.4	45	20	12.8	1.4	18°	60°	60°	3.0	3.0	6.0	4.0	0.6	1.5

S42-0452018-12.8×1.9	42-12×1.9	45	20	12.8	1.9	18°	60°	60°	3.0	3.0	6.0	4.0	0.6	1.5
S42-0452018-12.8×2.6	42-12×1.4	45	20	12.8	2.6	18°	60°	60°	3.0	3.0	6.0	4.0	0.8	1.5
S42-0452018-12.8×3.4	42-12×3.4	45	20	12.8	3.4	18°	60°	60°	3.0	3.0	6.0	4.0	0.8	1.5
S42-0452018-12.8×4.9	42-12×4.9	45	20	12.8	4.9	18°	60°	60°	3.0	3.0	6.0	4.0	1.0	1.5
S42-0452018-12.8×5.9	42-12×5.9	45	20	12.8	5.9	18°	60°	60°	3.0	3.0	6.0	4.0	1.0	1.5
S42-0452020-14.6×1.6	LS42-14×1.6	45	20	14.6	1.6	20°	60°	60°	2.5	2.5	5.0	5.5	0.6	1.5
S42-0452018-14.6×2.1	42-14×2.1	45	20	14.6	2.1	18°	60°	60°	3.0	3.0	6.0	4.0	0.6	1.5
S42-0452018-14.6×3.4	42-14×3.4	45	20	14.6	3.4	18°	60°	60°	3.0	3.0	6.0	4.0	0.8	1.5
S42-0452018-14.6×4.1	42-14×4.1	45	20	14.6	4.1	18°	60°	60°	3.0	3.0	6.0	4.0	1.0	1.5
S42-0452018-14.6×5.9	42-14×5.9	45	20	14.6	5.9	18°	60°	60°	3.0	3.0	6.0	4.0	1.0	1.5
S42-0502020-16.5×1.9	LS42-16×1.9	50	20	16.5	1.9	20°	60°	60°	3.5	3.0	5.0	6.0	0.6	1.5
S42-0502018-16.5×2.4	42-16×2.4	50	20	16.5	2.4	18°	60°	60°	3.0	3.0	6.0	4.0	0.8	1.5
S42-0502018-16.5×3.1	42-16×3.1	50	20	16.5	3.1	18°	60°	60°	3.0	3.0	6.0	4.0	0.8	1.5
S42-0502018-16.5×4.9	42-16×4.9	50	20	16.5	4.9	18°	60°	60°	3.0	3.0	6.0	4.0	1.0	1.5
S42-0502018-16.5×6.3	42-16×6.3	50	20	16.5	6.3	18°	60°	60°	3.0	3.0	6.0	4.0	1.2	1.5
S42-0502018-17.6×1.0	42-17×1.0	50	20	17.6	1.0	18°	60°	60°	3.0	3.0	6.0	4.0	0.5	1.5
S42-0502018-17.6×2.1	42-17×2.1	50	20	17.6	2.1	18°	60°	60°	3.0	3.0	6.0	4.0	0.6	1.5
S42-0502018-17.6×2.8	42-17×2.8	50	20	17.6	2.8	18°	60°	60°	3.0	3.0	6.0	4.0	0.8	1.5
S42-0502018-17.6×3.4	42-17×3.4	50	20	17.6	3.4	18°	60°	60°	3.0	3.0	6.0	4.0	0.8	1.5
S42-0502018-17.6×4.9	42-17×4.9	50	20	17.6	4.9	18°	60°	60°	3.0	3.0	6.0	4.0	1.0	1.5
S42-0502018-17.6×5.9	42-17×5.9	50	20	17.6	5.9	18°	60°	60°	3.0	3.0	6.0	4.0	1.0	1.5
S42-0502020-19.2×1.0	LS42-19×1.0	50	20	19.2	1.0	20°	60°	60°	3.5	3.0	5.0	6.0	0.5	1.5

S42-0502018-19.2×1.5	42-19×1.5	50	20	19.2	1.5	18°	60°	60°	3.0	3.0	6.0	4.0	0.6	1.5
S42-0502018-19.2×2.8	42-19×2.8	50	20	19.2	2.8	18°	60°	60°	3.0	3.0	6.0	4.0	0.8	1.5
S42-0502020-19.2×3.0	42-19×3.0	50	20	19.2	3.0	20°	60°	60°	3.5	3.0	5.0	6.0	0.8	1.5
S42-0502018-19.2×3.9	42-19×3.9	50	20	19.2	3.9	18°	60°	60°	3.0	3.0	6.0	4.0	1.0	1.5
S42-0502018-19.2×5.9	42-19×5.9	50	20	19.2	5.9	18°	60°	60°	3.0	3.0	6.0	4.0	1.0	1.5
S42-0502018-20.8×2.1	42-20×2.1	50	20	20.8	2.1	18°	60°	60°	3.0	3.0	6.0	4.0	0.6	1.5
S42-0502018-20.8×2.8	42-20×2.8	50	20	20.8	2.8	18°	60°	60°	3.0	3.0	6.0	5.0	0.8	1.5
S42-0502018-20.8×3.4	42-20×3.4	50	20	20.8	3.4	18°	60°	60°	3.0	3.0	6.0	5.0	0.8	1.5
S42-0502018-20.8×4.9	42-20×4.9	50	20	20.8	4.9	18°	60°	60°	3.0	3.0	6.0	5.0	1.0	1.5
S42-0502018-20.8×5.9	42-20×5.9	50	20	20.8	5.9	18°	60°	60°	3.0	3.0	6.0	5.0	1.0	1.5
S42-0502020-23.2×1.0	LS42-23×1.0	50	20	23.2	1.0	20°	60°	60°	3.5	3.0	5.0	6.0	0.5	1.5
S42-0502018-23.2×1.4	42-23×1.4	50	20	23.2	1.4	18°	60°	60°	3.0	3.0	6.0	5.0	0.6	1.5
S42-0502018-23.2×1.9	42-23×1.9	50	20	23.2	1.9	18°	60°	60°	3.0	3.0	6.0	5.0	0.8	1.5
S42-0502018-23.2×3.8	42-23×3.8	50	20	23.2	3.8	18°	60°	60°	3.0	3.0	6.0	5.0	1.0	1.5
S42-0502018-23.2×4.9	42-23×4.9	50	20	23.2	4.9	18°	60°	60°	3.0	3.0	6.0	5.0	1.0	1.5
S42-0502018-23.2×5.9	42-23×5.9	50	20	23.2	5.9	18°	60°	60°	3.0	3.0	6.0	5.0	1.0	1.5
S42-0602018-24.5×1.4	42-24×1.4	60	20	24.5	1.4	18°	60°	60°	3.0	3.0	6.0	5.0	0.6	1.5
S42-0602018-24.5×2.6	42-24×2.6	60	20	24.5	2.6	18°	60°	60°	3.0	3.0	6.0	5.0	0.8	1.5
S42-0602018-24.5×3.3	42-24×3.3	60	20	24.5	3.3	18°	60°	60°	3.0	3.0	6.0	5.0	0.8	1.5
S42-0602020-27.0×1.0	LS42-27×1.0	60	20	27.0	1.0	20°	60°	60°	3.5	3.0	5.0	6.0	0.6	1.5
S42-0602018-27.0×1.9	42-27×1.9	60	20	27.0	1.9	18°	60°	60°	3.0	3.0	6.0	5.0	0.6	1.5
S42-0602018-27.0×2.4	42-27×2.4	60	20	27.0	2.4	18°	60°	60°	3.0	3.0	6.0	5.0	0.8	1.5

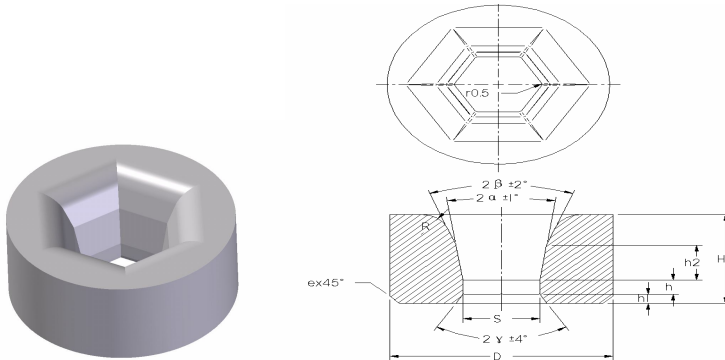
S42-0602018-27.0×3.0	42-27×3.0	60	20	27.0	3.0	18°	60°	60°	3.0	3.0	6.0	5.0	0.8	1.5
S42-0602018-31.0×1.5	LS42-31×1.0	60	20	31.0	1.0	20°	60°	60°	3.5	3.0	5.0	6.0	0.6	1.5
S42-0602018-31.0×3.0	42-31×3.0	60	20	31.0	3.0	18°	60°	60°	3.0	3.0	6.0	5.0	0.8	1.5
S42-0602018-31.0×3.8	42-31×3.8	60	20	31.0	3.8	18°	60°	60°	3.0	3.0	6.0	5.0	1.0	1.5
S42-0682523-34.6×3.6	42-34.6×3.6	68	25	34.6	3.6	23°	60°	60°	6.0	2.5	5.0	2.5	1.2	1.8
S42-0682523-34.6×4.6	42-34.6×4.6	68	25	34.6	4.6	23°	60°	60°	6.0	2.5	5.0	2.5	1.2	1.8
S42-0782723-44.6×4.6	42-44.6×4.6	78	27	44.6	4.6	23°	60°	60°	6.5	2.5	5.0	2.5	1.2	1.8
S42-0782723-39.6×5.6	42-39.6×5.6	78	27	39.6	5.6	23°	60°	60°	6.5	2.5	5.0	2.5	1.2	1.8
S42-0782723-39.6×4.6	42-39.6×4.6	78	27	39.6	4.6	23°	60°	60°	6.5	2.5	5.0	2.5	1.2	1.8
S42-0882220-56.0×5.0	LS42-56×5	88	22	56.0	5.0	20°	60°	60°	5.0	3.0	12.0	5.0	1.6	2.0
S42-0882524-56.7×5.9	42-56.7-5.9	88	25.5	56.7	5.9	24°	60°	60°	9.0	2.5	12	2.5	1	1.8
S42-0882723-49.6×5.6	42-49.6-5.6	88	27	49.6	5.6	23°	60°	60°	6.5	2.7	15	2.5	1.2	1.8
S42-1183123-75.7×5.9	42-75.7-5.9	118	31	75.7	5.9	23°	60°	60°	8.0	3.0	5.0	3.0	1.2	1.8

6. Твердосплавные фильеры для волочения металлических прутков восьмигранной формы S60

Применение: Используются для волочения восьмигранных прутков.

Размеры: Максимальный внешний диаметр: 120мм

Параметры модели S60



Новый тип	Старый	Размеры (мм)	Размеры для вычислений (мм)
-----------	--------	--------------	-----------------------------

	тип	D	H	s	2α	2β	2γ	h	h1	h2	R	e
S60-0252021-2.5	V60-2.5H	25	20	2.5	21°	40°	60°	1.7	3.0	12.0	3.3	1.2
S60-0302114-2.5	L60-2.5	30	21	2.5	14°	40°	60°	1.8	2.0	9.0	4.0	1.2
S60-0302114-3.0	L60-3.0	30	21	3.0	14°	40°	60°	1.8	2.0	9.0	4.0	1.2
S60-0252021-3.5	V60-3.5H	25	20	3.5	21°	40°	60°	1.7	3.0	12.0	3.3	1.2
S60-0302114-4.0	L60-4.0	30	21	4.0	14°	40°	60°	1.8	2.0	9.0	4.0	1.2
S60-0252021-4.5	V60-4.5H	25	20	4.5	21°	40°	60°	1.7	3.0	12.0	3.3	1.2
S60-0302114-4.7	L60-4.7	30	21	4.7	14°	40°	60°	2.5	2.0	9.0	4.0	1.2
S60-0292022-5.5	V60-5.5H	29	20	5.5	22°	40°	60°	2.0	3.0	12.0	3.0	1.2
S60-0302114-5.7	L60-5.7	30	21	5.7	14°	40°	60°	2.5	2.0	9.0	4.0	1.2
S60-0251335-6.0	V60-6.0-25	25	13	6.0	35°	40°	60°	1.8	2.0	7.5	2.0	1.2
S60-0251335-6.0H	V60-31.8H	25	13.9	6.0	35°	40°	60°	2.6	2.0	7.5	2.0	1.5
S60-0292022-6.5	V60-6.5H	29	20	6.5	22°	40°	60°	2.0	3.0	12.0	3.0	1.2
S60-0302114-6.7	L60-6.7	30	21	6.7	14°	40°	60°	2.5	2.0	9.0	4.0	1.2
S60-0292022-7.5	V60-7.5H	29	20	7.5	22°	40°	60°	2.0	3.0	12.0	3.0	1.2
S60-0302114-7.7	L60-7.7	30	21	7.7	14°	40°	60°	2.5	2.0	9.0	4.0	1.2
S60-0342023-8.5	V60-8.5H	34	20	8.5	23°	40°	60°	2.3	3.0	12.0	2.7	1.2
S60-0352114-8.7	L60-8.7	35	21	8.7	14°	40°	60°	3.0	2.0	9.0	4.0	1.2
S60-0342022-9.5	LH-145	34	20	9.5	22°	40°	60°	1.8	3.0	12.0	3.2	1.2
S60-0342023-9.5	V60-9.5H	34	20	9.5	23°	40°	60°	2.3	3.0	12.0	2.7	1.2
S60-0352114-9.7	L60-9.7	35	21	9.7	14°	40°	60°	3.0	2.0	9.0	4.0	1.2
S60-0342023-10.5	V60-10.5H	34	20	10.5	23°	40°	60°	2.3	3.0	12.0	2.7	1.2
S60-0352114-10.6	L60-10	35	21	10.6	14°	40°	60°	3.0	2.0	9.0	4.0	1.2
S60-0382324-11.5	V60-11.5H	38	23	11.5	24°	40°	60°	2.6	3.0	14.0	3.4	1.5
S60-0402514-11.5	L60-11	40	25	11.5	14°	40°	60°	3.5	3.0	12.5	4.0	1.5
S60-0382324-12.5	V60-12.5H	38	23	12.5	24°	40°	60°	2.6	3.0	14.0	3.4	1.5
S60-0402514-12.5	L60-12	40	25	12.5	14°	40°	60°	3.5	3.0	12.5	4.0	1.5
S60-0432423-13.5	LH-146	43	24	13.5	23°	40°	60°	2.5	3.5	14.0	4.0	1.5
S60-0432424-13.5	V60-13.5H	43	24	13.5	24°	40°	60°	3.0	3.5	14.0	3.5	1.5
S60-0452514-13.5	L60-13	45	25	13.5	14°	40°	60°	4.0	3.0	13.0	4.0	1.5
S60-0432424-14.5	V60-14.5H	43	24	14.5	24°	40°	60°	3.0	3.5	14.0	3.5	1.5
S60-0452514-14.5	L60-14	45	25	14.5	14°	40°	60°	4.0	3.0	13.0	4.0	1.5
S60-0442424-15.5	V60-15.5H	44	24	15.5	24°	40°	60°	3.0	3.5	14.0	3.5	1.5
S60-0452514-15.5	L60-15	45	25	15.5	14°	40°	60°	4.0	3.0	13.0	4.0	1.5

S60-0442424-16.5	V60-16.5 H	44	24	16.5	24°	40°	60°	3.0	3.5	14.0	3.5	1.5
S60-0452514-16.5	L60-16	45	25	16.5	14°	40°	60°	4.0	3.0	13.0	4.0	1.5
S60-0452424-17.5	V60-17.5 H	45	24	17.5	24°	40°	60°	3.0	3.5	14.0	3.5	1.5
S60-0452514-17.5	L60-17	45	25	17.5	14°	40°	60°	4.0	3.0	13.0	4.0	1.5
S60-0452424-18.5	V60-18.5 H	45	24	18.5	24°	40°	60°	3.0	3.5	14.0	3.5	1.5
S60-0452514-18.5	L60-18	45	25	18.5	14°	40°	60°	4.0	3.0	13.0	4.0	1.5
S60-0532724-19.5	V60-19.5 H	53	27	19.5	24°	40°	60°	3.0	4.0	16.0	4.0	1.5
S60-0552814-19.5	L60-19	55	28	19.5	14°	40°	60°	5.0	4.0	14.0	5.0	1.5
S60-0532323-20.5	LH-147	53	23	20.5	23°	40°	60°	2.5	4.0	16.0	4.5	1.5
S60-0532724-20.5	V60-20.5 H	53	27	20.5	24°	40°	60°	3.0	4.0	16.0	4.0	1.5
S60-0552814-20.5	L60-20	55	28	20.5	14°	40°	60°	5.0	4.0	14.0	5.0	1.5
S60-0532724-21.5	V60-21.5 H	53	27	21.5	24°	40°	60°	3.0	4.0	16.0	4.0	1.5
S60-0552814-21.5	L60-21	55	28	21.5	14°	40°	60°	5.0	4.0	14.0	5.0	1.5
S60-0532723-22.5	LH-148	53	27	22.5	23°	40°	60°	2.5	4.0	16.0	4.5	1.5
S60-0552724-22.5	V60-22.5 H	55	27	22.5	24°	40°	60°	3.0	4.0	16.0	4.0	1.5
S60-0552814-22.5	L60-22	55	28	22.5	14°	40°	60°	5.0	4.0	14.0	5.0	1.5
S60-0552724-23.5	V60-23.5 H	55	27	23.5	24°	40°	60°	3.0	4.0	16.0	4.0	1.5
S60-0552814-23.5	L60-23	55	28	23.5	14°	40°	60°	5.0	4.0	14.0	5.0	1.5
S60-0602816-24.5 H	L60-24H	60	28	24.5	16°	40°	60°	6.0	3.5	13	4.2	1.5
S60-0632924-24.5	V60-24.5 H	63	29	24.5	24°	40°	60°	3.5	4.0	17.5	4.0	1.5
S60-0653016-24.5	L60-24	65	30	24.5	16°	40°	60°	6.0	4.5	14.0	5.0	1.5
S60-0632924-25.5	V60-25.5 H	63	29	25.5	24°	40°	60°	3.5	4.0	17.5	4.0	1.5
S60-0653016-25.5	L60-25	65	30	25.5	16°	40°	60°	6.0	4.5	14.0	5.0	1.5
S60-0632924-26.5	V60-26.5 H	63	29	26.5	24°	40°	60°	3.5	4.0	17.5	4.0	1.5
S60-0653016-26.5	L60-26	65	30	26.5	16°	40°	60°	6.0	4.5	14.0	5.0	1.5
S60-0652924-27.5	V60-27.5 H	65	29	27.5	24°	40°	60°	3.5	4.0	17.5	4.0	1.5
S60-0653016-27.5	L60-27	65	30	27.5	16°	40°	60°	6.0	4.5	14.0	5.0	1.5
S60-0652924-28.5	V60-28.5 H	65	29	28.5	24°	40°	60°	3.5	4.0	17.5	4.0	1.5
S60-0653016-28.5	L60-28	65	30	28.5	16°	40°	60°	6.0	4.5	14.0	5.0	1.5

S60-0703024-29.5	V60-29.5 H	70	30	29.5	24°	40°	60°	3.8	4.0	17.5	4.7	1.5
S60-0703024-29.5 H	V60-29.5 H	70	30	29.5	24°	40°	60°	3.8	4.0	17.5	4.7	1.5
S60-0703024-31.5 H	V60-31.5 H	70	30	31.5	24°	40°	60°	3.8	4.0	17.5	4.7	1.5
S60-0753516-29.5	L60-29	75	35	29.5	16°	40°	60°	7.0	5.0	15.0	6.0	1.5
S60-0753516-30.5	L60-30	75	35	30.5	16°	40°	60°	7.0	5.0	15.0	6.0	1.5
S60-0703024-31.5	V60-31.5 H	70	30	31.5	24°	40°	60°	3.8	4.0	17.5	4.7	1.5
S60-0753516-31.3	L60-31	75	35	31.3	16°	40°	60°	7.0	5.0	15.0	6.0	1.5
S60-0753516-32.3	L60-32	75	35	32.3	16°	40°	60°	7.0	5.0	15.0	6.0	1.5
S60-0753524-33.5	V60-33.5 H	75	35	33.5	24°	40°	60°	4.0	5.5	19.5	6.0	1.5
S60-0753516-33.3	L60-33	75	35	33.3	16°	40°	60°	7.0	5.0	15.0	6.0	1.5
S60-0753516-34.3	L60-34	75	35	34.3	16°	40°	60°	7.0	5.0	15.0	6.0	1.5
S60-0753516-35.3	L60-35	75	35	35.3	16°	40°	60°	7.0	5.0	15.0	6.0	1.5
S60-0753516-36.3	L60-36	75	35	36.3	16°	40°	60°	7.0	5.0	15.0	6.0	1.5
S60-0753516-37.3	L60-37	75	35	37.3	16°	40°	60°	7.0	5.0	15.0	6.0	1.5
S60-0903516-38.3	L60-38	90	35	38.3	16°	40°	60°	7.0	5.0	15.0	6.0	2.0
S60-0903516-39.3	L60-39	90	35	39.3	16°	40°	60°	7.0	5.0	15.0	6.0	2.0
S60-0903516-41.0	L60-41	90	35	41.0	16°	40°	60°	7.0	5.0	15.0	6.0	2.0
S60-0903516-42.0	L60-42	90	35	42.0	16°	40°	60°	7.0	5.0	15.0	6.0	2.0
S60-0903516-44.0	L60-44	90	35	44.0	16°	40°	60°	7.0	5.0	15.0	6.0	2.0
S60-0903516-47.0	L60-47	90	35	47.0	16°	40°	60°	7.0	5.0	15.0	6.0	2.0
S60-0903516-49.0	L60-49	90	35	49.0	16°	40°	60°	7.0	5.0	15.0	6.0	2.0
S60-1004016-52.0	L60-52	100	40	52.0	16°	40°	60°	8.0	6.0	16.0	6.0	2.0
S60-1004016-54.0	L60-54	100	40	54.0	16°	40°	60°	8.0	6.0	16.0	6.0	2.0
S60-1004016-57.0	L60-57	100	40	57.5	16°	40°	60°	8.0	6.0	16.0	6.0	2.0
S60-1204216-59.5	L60-59	120	42	59.5	16°	40°	60°	8.0	6.0	16.0	6.0	2.0
S60-1204216-61.5	L60-61	120	42	61.5	16°	40°	60°	8.0	6.0	16.0	6.0	2.0
S60-1204216-64.5	L60-64	120	42	64.5	16°	40°	60°	8.0	6.0	16.0	6.0	2.0
S60-1204216-67.5	L60-67	120	42	67.5	16°	40°	60°	8.0	6.0	16.0	6.0	2.0
S60-1204216-70.5	L60-70	120	42	70.5	16°	40°	60°	8.0	6.0	16.0	6.0	2.0
S60-1204216-74.5	L60-74	120	42	74.5	16°	40°	60°	8.0	6.0	16.0	6.0	2.0
S60-0753516-29.5	L60-29	75	35	29.5	16°	40°	60°	7.0	5.0	15.0	6.0	1.5
S60-0753516-30.5	L60-30	75	35	30.5	16°	40°	60°	7.0	5.0	15.0	6.0	1.5
S60-0753516-31.3	L60-31	75	35	31.3	16°	40°	60°	7.0	5.0	15.0	6.0	1.5
S60-0753516-32.3	L60-32	75	35	32.3	16°	40°	60°	7.0	5.0	15.0	6.0	1.5
S60-0753516-33.3	L60-33	75	35	33.3	16°	40°	60°	7.0	5.0	15.0	6.0	1.5
S60-0753524-33.5 H	V60-33.5 H	75	35	33.5	24°	40°	60°	7.0	5.0	19.5	6.0	1.5
S60-0753516-34.3	L60-34	75	35	34.3	16°	40°	60°	7.0	5.0	15.0	6.0	1.5

S60-0753516-35.3	L60-35	75	35	35.3	16°	40°	60°	7.0	5.0	15.0	6.0	1.5
S60-0753516-36.3	L60-36	75	35	36.3	16°	40°	60°	7.0	5.0	15.0	6.0	1.5
S60-0753516-37.3	L60-37	75	35	37.3	16°	40°	60°	7.0	5.0	15.0	6.0	1.5
S60-0903516-38.3	L60-38	90	35	38.3	16°	40°	60°	7.0	5.0	15.0	6.0	2.0
S60-0903516-39.3	L60-39	90	35	39.3	16°	40°	60°	7.0	5.0	15.0	6.0	2.0
S60-0903516-40.0	L60-40	90	35	40	16°	40°	60°	7.0	5.0	15.0	6.0	2.0
S60-0903516-41.0	L60-41	90	35	41	16°	40°	60°	7.0	5.0	15.0	6.0	2.0
S60-0903516-42.0	L60-42	90	35	42	16°	40°	60°	7.0	5.0	15.0	6.0	2.0
S60-0903516-43.0	L60-43	90	35	43	16°	40°	60°	7.0	5.0	15.0	6.0	2.0
S60-0903516-44.0	L60-44	90	35	44	16°	40°	60°	7.0	5.0	15.0	6.0	2.0
S60-0903516-47.0	L60-47	90	35	47	16°	40°	60°	7.0	5.0	15.0	6.0	2.0
S60-0903516-49.0	L60-49	90	35	49	16°	40°	60°	7.0	5.0	15.0	6.0	2.0
S60-1004018-49	S60-49-100	100	40	49	18°	40°	60°	8.5	6.0	13.0	6.0	2.0
S60-1004016-52	60-52H	100	40	52	16°	40°	60°	8.0	6.0	16.0	6.0	2.0
S60-1004016-52.0	L60-52	100	40	52	16°	40°	60°	8.0	6.0	16.0	6.0	2.0
S60-1004016-54.0	L60-54	100	40	54	16°	40°	60°	8.0	6.0	16.0	6.0	2.0
S60-1104018-54	S60-54	110	40	54	18°	40°	60°	8.0	6.0	16.0	6.0	2.0
S60-1204216-59	S60-59-120	120	42	59	16°	40°	60°	8.0	6.0	16.0	6.0	2.0
S60-1204216-59.5	L60-59	120	42	59.5	16°	40°	60°	8.0	6.0	16.0	6.0	2.0
S60-1204216-61.5	L60-61	120	42	61.5	16°	40°	60°	8.0	6.0	16.0	6.0	2.0
S60-1204216-64.5	L60-64	120	42	64.5	16°	40°	60°	8.0	6.0	16.0	6.0	2.0
S60-1204216-67.5	L60-67	120	42	67.5	16°	40°	60°	8.0	6.0	16.0	6.0	2.0
S60-1204216-70.5	L60-70	120	42	70.5	16°	40°	60°	8.0	6.0	16.0	6.0	2.0
S60-1204216-74.5	L60-74	120	42	74.5	16°	40°	60°	8.0	6.0	16.0	6.0	2.0